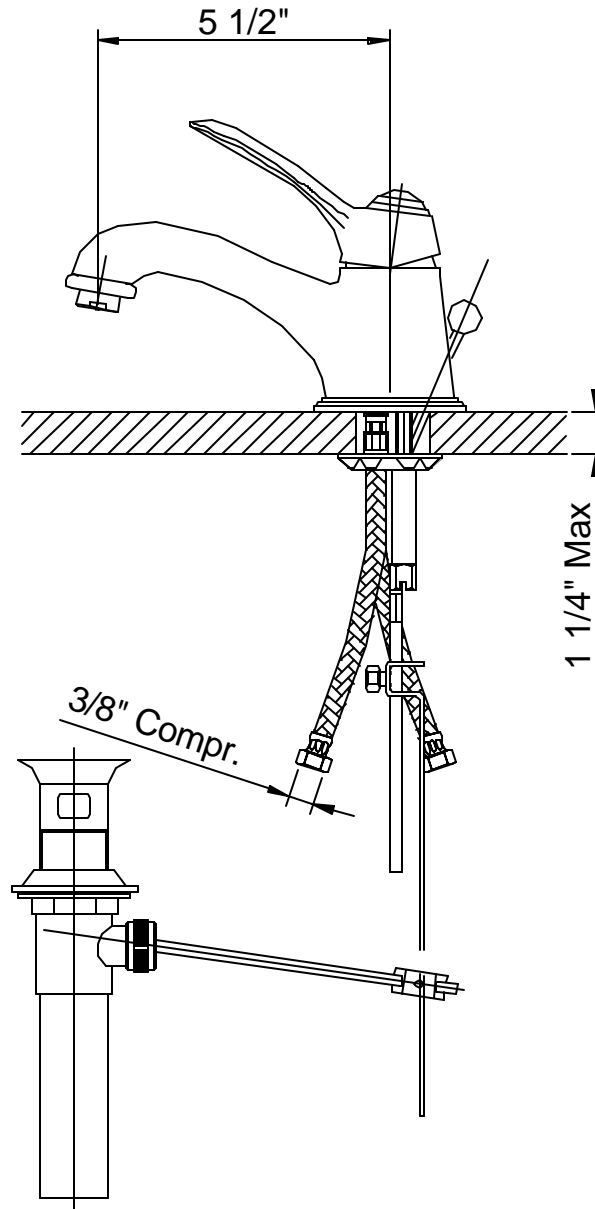


# TECHNICAL SPECIFICATIONS

Asbury Series: Single Hand Lavatory

27x100

Model# | 278 100 xxx



Suggested sink hole dimension is  $1 \frac{1}{2}$ "

Maximum sink hole dimension is  $1 \frac{5}{8}$ "

Minimum sink hole dimension is  $1 \frac{3}{8}$ "

2935 Amwiler Road  
Atlanta, GA 30360-6001



Phone: 800.528.4904  
Fax: 800.528.1969

# TECHNICAL SPECIFICATIONS

## Asbury Series: Single Hand Lavatory

27x100

### Installation Instructions

1. Thread Mt. Post [12.1] into base of faucet
2. Thread hoses [13] into base of faucet
3. Insert hoses through base trim ring [14] into sink hole
4. Insert lift rod [11] and ensure smooth operation
5. Secure faucet to sink by installing half moon mt. Washer [12.2] and mt. Post nut [12.3] (use a large slotted screw driver or ½" wrench)
6. Install drain system [16] using provided lift rod extension [11]

Model#

278 100 xxx

### Service Parts

1	Complete handle button	
1.1	Plain Button	
1.2	Button o-ring 10.1x1.6	
2	Handle screw M4x16	
3	Handle ring	
4	Handle	
5	Cartridge finished cover	
6	Cartridge retaining nut	
7	35mm Cartridge	
8	Spout body	
9	Mouth piece	
10	Aerator M24x1	
11	Complete Lift rod	
12	Mt. Hardware kit	
12.1	Mt. post	
12.2	Half moon mt. washer	
12.3	Mt. Post nut	
13	Flexible Hose M10x3/8" compr.	
14	Base trim ring	
15	Pop up knob	
16	Drain system	

